

Capsule Pressure Gauges Stainless Steel Series Model 632.50/633.50, without/with Liquid Filling

WIKA Data Sheet PM 06.03



Applications

- With liquid filled case for applications with high dynamic pressure pulsations or vibrations
- For gaseous, dry and aggressive media, also in aggressive ambience
- Process industry: chemical/petro-chemical, pharmaceutical, biotechnology, machine and power generation industries

Special Features

- Zero adjustment in front
- All stainless steel construction
- Special connection location on request
- Low scale ranges from 0 ... 2.5 mbar



Capsule Pressure Gauge Model 632.50

Description

Design

EN 837-3

Nominal size in mm

63, 100, 160

Accuracy class

1.6

Scale ranges

NS 63: 0 ... 40 mbar to 0 ... 600 mbar

NS 100: 0 ... 16 mbar to 0 ... 600 mbar

NS 160: 0 ... 2.5 mbar to 0 ... 600 mbar

or all other equivalent vacuum or combined pressure and vacuum ranges

Pressure limitation

Steady: full scale value

Fluctuating: 0.9 x full scale value

Operating temperature

Ambient: -20 ... +60 °C

Medium: +100 °C maximum

Temperature effect

When the temperature of the measuring system deviates from the reference temperature (+20 °C):

max. $\pm 0.6 \%$ /10 K of full scale value

Ingress protection

IP 54 per EN 60 529 / IEC 529

(with liquid filling IP 65)

Standard version

Process connection

Stainless steel 316L,
lower mount (LM) or lower back mount (LBM) ¹⁾
NS 63: G ¼ B (male)
NS 100, 160: G ½ B (male)

Pressure element

Stainless steel 316L

Sealing

FPM/FKM

Movement

Stainless steel

Zero adjustment

In front

Dial

Aluminium, white, black lettering

Pointer

Aluminium, black

Case

Stainless steel

Window

Laminated safety glass
(with liquid filling: acrylic glass)

Bezel ring

Cam ring (bayonet type), stainless steel

Liquid filling (for model 633.50):

NS 100 and 160 from scale ranges ≥ 100 mbar
Glycerine 86.5 %

Options

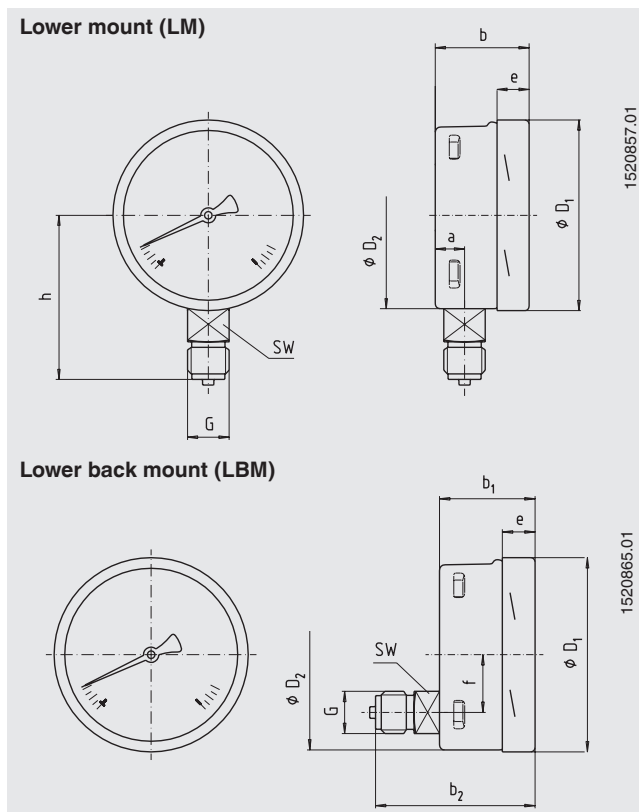
- Other process connection
- Accuracy class higher: class 1.0
- Admissible ambient temperature -40 ... +60 °C

Further options

- Overpressure and vacuum safety with scale ranges > 25 mbar: 10 x full scale value
scale ranges ≤ 25 mbar: 3 x full scale value
- Surface mounting flange
- NS 100 and 160: panel mounting flange
- NS 100 and 160: triangular bezel with clamp
- NS 100: from scale ranges ≥ 60 mbar transmitter (model 89X.34, data sheet AC 08.02)
- NS 100 and 160: from scale ranges ≥ 100 mbar switch contacts (model 831, data sheet AC 08.01)
- Version per ATEX Ex II 2 GD c TX

Dimensions in mm

Standard version



NS	Dimensions in mm										Weight in kg	
	a	b	b ₁	b ₂	D ₁	D ₂	e	f	G	h ± 1	SW	
63	9.5	42	42	63	64	62	22	- ¹⁾	G ¼ B	52	14	0.19
100	15.5	49.5	49.5	83	101	99	17.5	30	G ½ B	87	22	0.60
160	15.5	49.5	49.5	83	161	159	17.5	50	G ½ B	118	22	1.10

Process connection per EN 837-1 / 7.3

¹⁾ With NS 63: Centre back mount (CBM)

Ordering information

Model / Nominal size / Scale range / Connection size / Connection location / Options

The specifications given in this document represent the state of engineering at the time of publishing.
We reserve the right to make modifications to the specifications and materials.

