

Bourdon Tube Pressure Gauges Stainless Steel, Safety Pattern Version, High Overpressure Safety Model 232.36/233.36, without/with Liquid Filling

WIKA Data Sheet PM 02.15



Applications

- Especially suited for occasional short-duration overpressures of up to 4 times measuring range
- Increased safety requirements
- With liquid filled case for applications with high dynamic pressure pulsations or vibrations
- For gaseous and liquid aggressive media that are not highly viscous or crystallising, also in aggressive ambience
- Process industries: chemical/petro-chemical, power stations, mining, on- and offshore, environmental technology, machine building and plant construction

Special Features

- High overpressure safety, overpressure range is indicated completely on scale
- Safety pressure gauge with solid baffle wall designed in compliance with operational safety requirements of EN 837-1
- All stainless steel construction

Description

Design

Safety pattern version following EN 837-1

Nominal size in mm

100, 160

Measuring and overpressure ranges

Measuring range in bar	Overpressure range up to ... bar
-1 ... 0	3
0 ... 0.6	2.5
0 ... 1	4
0 ... 1.6	6
0 ... 2.5	10
0 ... 4	16
0 ... 6	25
0 ... 10	40
0 ... 16	60
0 ... 25	80
0 ... 40	100



Bourdon Tube Pressure Gauge Model 232.36

Accuracy class

Measuring range: 1.0

The measuring range end is marked by a black triangle

Pressure limitation

Steady: full scale value
Fluctuating: 0.9 x full scale value
Short time: overload range

Operating temperature

Ambient: -40 ... +60 °C without liquid filling
-20 ... +60 °C gauges with glycerine filling
Medium: +200 °C maximum without liquid filling
+100 °C maximum with liquid filling

Temperature effect

When the temperature of the measuring system deviates from the reference temperature (+20 °C):
max. ±0.4 %/10 K of full scale value

Ingress protection

IP 65 per EN 60 529 / IEC 529

Standard version

Process connection

Stainless steel 316L,
lower mount (LM),
G ½ B (male), 22 mm flats

Pressure element

Stainless steel 316L

Movement

Stainless steel

Dial

Aluminium, white, black lettering in measuring range,
overpressure range indicated by a black sector

Pointer

Aluminium, black

Case

Stainless steel, with solid baffle wall (Solidfront) and
blow-out back

Window

Laminated safety glass

Bezel ring

Cam ring (bayonet type), stainless steel

Liquid filling (for model 233.36)

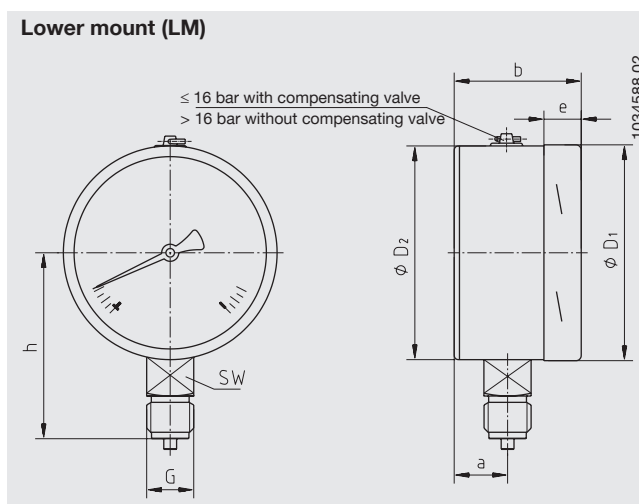
Glycerine 99.7 %

Options

- Other process connection
- Assembly on diaphragm seals see product review DS
- Other measuring ranges, for example -1 ... 1.5 bar
- Surface mounting lugs on case or panel mounting flange, stainless steel
- Ambient temperatures -40 °C: silicone oil filling
- Ingress protection IP 66 / IP 67
- Switch contacts (for NS 100 only, data sheet AC 08.01)
- Version per ATEX Ex II 2 GD c

Dimensions in mm

Standard version



NS	Dimensions in mm								Weight in kg
	a	b	D ₁	D ₂	e	G	h ± 1	SW	
100	25	59.5	101	100	17	G ½ B	87	22	0.65
160	27	65	161	159	17.5	G ½ B	118	22	1.30

Process connection per EN 837-1 / 7.3

Ordering information

Model / Nominal size / Measuring range / Connection size / Options

Modifications may take place and materials specified may be replaced by others without prior notice.
Specifications and dimensions given in this leaflet represent the state of engineering at the time of printing.



WIKAI Alexander Wiegand GmbH & Co. KG
Alexander-Wiegand-Straße 30
63911 Klingenberg/Germany
Tel. (+49) 9372/132-0
Fax (+49) 9372/132-406
E-mail info@wika.de
www.wika.de