

Bourdon tube pressure gauge Model 111.11, welding gauge to ISO 5171

WIKA data sheet PM 01.03

Applications

- For equipment and plants for welding, cutting and allied processes

Special features

- Design per ISO 5171
- Pressure relief in case back
- Integrated burst element to ensure maximum safety
- Reliable and cost-effective



Bourdon tube pressure gauge model 111.11

Description

Design

ISO 5171

Nominal size in mm

40, 50, 63

Accuracy class

2.5

Scale ranges

Welding engineering standard ranges for oxygen and acetylene to ISO 5171, as well as 0 ... 1 to 0 ... 400 bar to EN 837-1 /5 or all other equivalent vacuum or combined pressure and vacuum ranges

Pressure limitation

Steady: 3/4 x full scale value

Fluctuating: 2/3 x full scale value

Short time: full scale value

Operating temperature

Ambient: -40 ... +60 °C

Medium: +60 °C maximum

Temperature effect

When the temperature of the measuring system deviates from the reference temperature (+20 °C): max. $\pm 0.4 \%$ /10 K of the span

Standard version

Process connection

Cu-alloy, male thread lower mount (LM), with restrictor (EN 837-1 /7.3)

NS 40 G 1/8 B, 14 mm flats

NS 50, 63 G 1/4 B, 14 mm flats

Pressure element

Cu-alloy (with acetylene, max. 70 % copper content),

≤ 60 bar: C-type

> 60 bar: helical type

Movement

Cu-alloy

Dial

Plastic, white, with pointer stop pin

Black lettering

Pointer

Plastic, black

Case

Steel, brass-coloured, with pressure relief in case back

Window

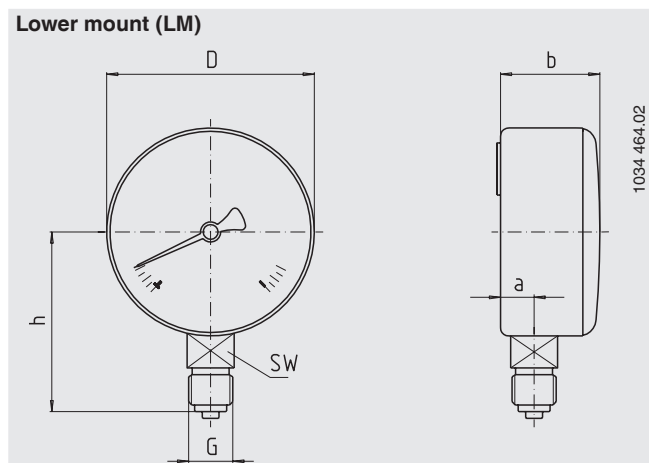
Polycarbonate, snap-fitted in case

Options

- Case brass or stainless steel
- Slip-on bezel
- Back mount (BM)

Dimensions in mm

Standard version



NS	Dimensions in mm			G	h ± 1	SW	Weight in kg
	a	b	D				
40	9.6	26	39	G 1/8 B	36	14	0.09
50	9.6	28	49	G 1/4 B	45	14	0.11
63	9.6	29	62	G 1/4 B	53.5	14	0.15

Process connection per EN 837-1 / 7.3

Ordering information

Model / Nominal size / Scale range / Connection size / Options

The specifications given in this document represent the state of engineering at the time of publishing. We reserve the right to make modifications to the specifications and materials.



WIKAL Alexander Wiegand SE & Co. KG
 Alexander-Wiegand-Straße 30
 63911 Klingenberg/Germany
 Tel. (+49) 9372/132-0
 Fax (+49) 9372/132-406
 E-mail info@wika.de
 www.wika.de